



## MORE THAN A CENTURY OF GLOBAL MARKING, CODING & PACKAGING SOLUTIONS

### THERMAL INKJET PRINTER

The thermal inkjet printer Cyklop CM 600 is operated and programmed via a high-resolution touchscreen with a 7" screen diagonal. The screen is designed according to the "less is more" principle and enables important information such as printer status, print image and fill level to be quickly identified at a glance.

Up to 2 smart printheads with innovative quick and secure head angle adjustment.  
Anti shock bracket and automatic "stay sharp" cartridge print management

- ✓ High speed printing for high-speed and complex coding request in food, beverage, cosmetic, pharmaceutical and extrusion industrials.
- ✓ High efficiency
- ✓ Easy to operate
- ✓ Innovative
- ✓ Easy cartridge replacement

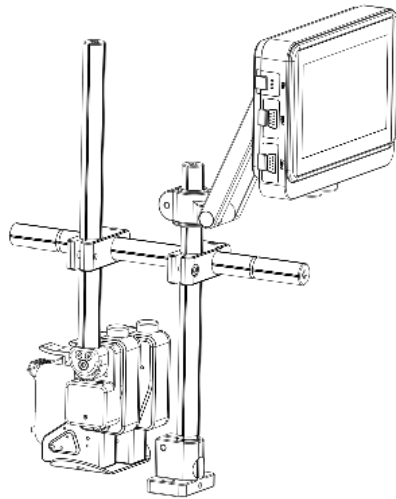
# THERMAL INKJET PRINTER THE CM 600 SERIES

## Print heads

The print heads are connected to the controller with 1.5 m (5 m optional) long cables. In connection with the supplied mounting elements and the innovative in 30° steps adjustable print head holder, maximum flexibility is enabled when installing in production systems. Two print heads can be connected to the controller and enable print images up to 25.4 mm high.

## 7" COLOR TOUCH SCREEN

- ✓ AUTOMATIC "STAY SHARP"
- ✓ CARTRIDGE PRINT MANAGEMENT
- ✓ SMART PRINTHEAD PROFIL
- ✓ WITH INNOVATIVE HEAD ANGLE ADJUSTMENT
- ✓ REMOTE NETWORK
- ✓ DATA PRINTING
- ✓ ETHERNET/USB/RS232
- ✓ FIBER OPTIC PRODUCT SENSOR
- ✓ ANTI SHOCK BRACKET



## Print content

Print content such as texts, date formats, times, logos or barcodes can be entered easily and conveniently via the touchscreen. Resolutions of up to 600 dpi and format lengths of up to 3,000 mm allow almost unlimited printing options.

## Low cost

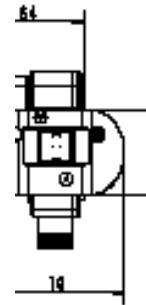
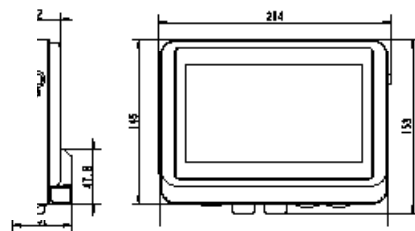
The cartridge concept enables low operating costs without maintenance or repairs and enables smooth operation with high availability at minimal costs.

## Ink

With our in-house developed inks, CM 600 stands for very high quality prints on almost all materials and surfaces. The cartridges are automatically recognized with their fill level and type and can be changed during printing.

## Technical Specifications

Print technology	HP TIJ 2.5
Print parameters	Selectable 150, 200, 300, 600 dpi
Print head mounting	Auto head 10mm anti shock with 30 deg incremental quick rotational print head mounting. Side on and top down printing.
Print distance	1mm optimal, 5mm maximum
Printing speed	Up to 228 m/min, 76 m/min at 300dpi
Print Colors	Black water based, Black, Red and Blue solvent based
Printing options	Configurable time/date codes, counters, shift code, graphics / Logo, external data, symbol sets
Sensor	External fiber optic sensor with head mounting bracket
Languages	English, Germany...
Power supply	AC 100 - 240V, 50/60Hz, 60W, 12 VDC, 5 A
IP Rating	IP54 Controller



[www.cyklop-india.com](http://www.cyklop-india.com)

**Cavalier Enterprises**  
 Authorised distributor of Cyklop (India) Pvt. Ltd.

6A/12 Sneh, Sadguru wamanrao pai marg,  
 Abhinav Nagar, Borivali East,  
 Mumbai, Maharashtra, India 400066  
 Direct Line : +91 22-68843786  
 Mobile / Whatsapp : +91 9321814744  
 Email : business@cavalier-enterprises.com

